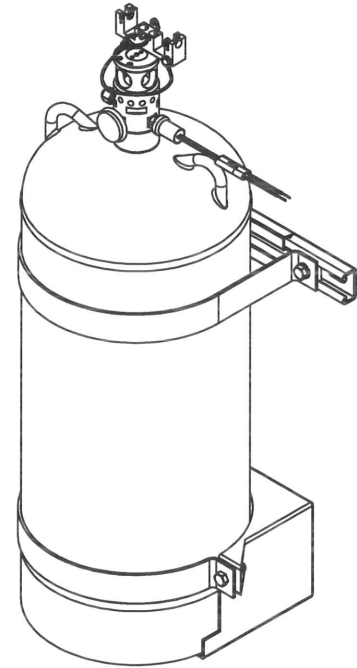


SEA-FIRE DATA SHEET

MODEL RANGE - NMD826- NMD1250

Mechanical Characteristics

- Agent: 3M™ Novac™ 1230
- Cylinder capacity: 1600 cu in, 26.2 l
- Operating pressure: 500 psig @ 70°F, 34.5 bar @ 21°C
- Pressure switch: electrical contact closed under pressure, opens upon discharge @ 385 psi, 26.5 bar
- Cylinder specification: EN 13322-1, TPED 99/36/EC
- Pressure gauge (visual indication of pressure in cylinder)
- System status indicator light included with each system (12 V DC standard)
- Instruction manual included with each system (123-331)
- Manifold: CDA 360 brass with corrosion inhibitor applied
- Manual cable activation (Bi-directional) required, must order seperately
- Pressure relief assembly: 975 psi, 67.2 bar



530-217

TARE WEIGHTS	LB	KG
MANUAL	44.2	20.1

Performance Characteristics

- Actuation temperature: None
- Discharge duration: less than 10 seconds
- Design concentration: 5.85%
- Safety factor: 30%
- Operating temperature range: 32°F-130°F, 0°C-54°C

Installation Data

- Bracket assy: 130-009
- Mounting: Vertical only
- Reference 130-009 data sheet for appropriate mounting information

Installation Requirements	(IN) Width	(IN) Height	(IN) Depth	(MM) Width	(MM) Height	(MM) Depth
Manual	16.5	30.7	11.3	419	780	287

Approvals

FM 3040508, CE

Compliance To:

NFPA 2001, ABYC, Marine ISO-8846, UL2166, FM 5600, 46 CFR, PED 97/23/EC

Options

- Pressure switch connector: Delphi (Weather-Pack) male connector, Deutsch (DTP) male connector, Delphi (Weather-Pack) assembly with wire leads
- System status indicator light: 12VDC std, 24VDC optional

Shipping Data

- Shipping name: Compressed Gas, n.o.s. (nitrogen and flourinated keytone mixture), UN 1956
- Case pack qty: Single

MODEL	NMD 850	NMD 875	NMD 900	NMD 925	NMD 950	NMD 975	NMD 1000	NMD 1025	NMD 1050	NMD 1075	NMD 1100	NMD 1125	NMD 1150	NMD 1175	NMD 1200	NMD 1225	NMD 1250
(Lb) Agent Wgt	45.65	46.99	48.33	49.67	51.02	52.36	53.70	55.04	56.39	57.73	59.07	60.41	61.76	63.10	64.44	65.78	67.13
(Kg) Agent Wgt	20.75	21.36	21.97	22.58	23.19	23.80	24.41	25.02	25.63	26.24	26.85	27.46	28.07	28.68	29.29	29.90	30.51
(Lb) Filled Wgt No Bkt	90.80	92.14	93.48	94.81	96.16	97.50	98.84	100.18	101.53	102.87	104.20	105.54	106.89	108.23	109.57	110.91	112.25
(Kg) Filled Wgt No Bkt	41.27	41.88	42.49	43.10	43.71	44.32	44.93	45.54	46.15	46.76	47.36	47.97	48.59	49.20	49.80	50.41	51.02
(Lb) Inst Wgt W/ Bkt	102.40	103.74	105.08	106.41	107.76	109.10	110.44	111.78	113.13	114.47	115.80	117.14	118.49	119.83	121.17	122.51	123.85
(Kg) Inst Wgt W/ Bkt	46.55	47.15	47.76	48.37	48.98	49.59	50.20	50.81	51.42	52.03	52.64	53.25	53.86	54.47	55.08	55.69	56.30
(Lb) Shipping Wgt	112.40	113.74	115.08	116.41	117.76	119.10	120.44	121.78	123.13	124.47	125.80	127.14	128.49	129.83	131.17	132.51	133.85
(Kg) Shipping Wgt	51.09	51.70	52.31	52.91	53.53	54.14	54.75	55.35	55.97	56.58	57.18	57.79	58.40	59.01	59.62	60.23	60.84

9331-A PHILADELPHIA ROAD
BALTIMORE, MD 21237 U.S.A.
www.sea-fire.com

PHONE (410) 687-5500
FAX (410) 687-5503

DOCUMENT DISTRIBUTION	CYLINDER ASSEMBLY	DATE: 5/1/12
THIS DOCUMENT IS INTENDED FOR GENERAL DISTRIBUTION AND MAY BE SHARED FULLY	COMPONENT: MANUAL ONLY NMD826 - NMD1250 (CE)	DRAWN BY: J. PIPPIN
4.5-6 REV B	SCALE: 1:8 ENGR APPR: <i>DJ</i>	REVISION: -
	DATE: 6/1/12	PART NO.: 530-217