

# SEA-FIRE DATA SHEET

MODEL RANGE - NFG26- NFG75

**Mechanical Characteristics**

- Agent: 3M™ Novec™ 1230
- Cylinder capacity: 105 cu in, 1.72 l
- Operating pressure: 500 psig @ 70°F, 34.5 bar @ 21°C
- Pressure switch: electrical contact closed under pressure, opens upon discharge @ 385 psi, 26.5 bar
- Cylinder specification: DOT 39, TC 39M, CE (PED)
- Pressure gauge (visual indication of pressure in cylinder)
- System status indicator light included with each system (12 V DC standard)
- Instruction manual included with each system (123-330)
- Manifold: CDA 360 brass with corrosion inhibitor applied

TARE WEIGHTS	LB	KG
AUTOMATIC	2.9	1.3
MANUAL/AUTOMATIC	3.1	1.4

**Performance Characteristics**

- Actuation temperature: 200°F, 93°C
- Discharge duration: less than 10 seconds
- Design concentration: 5.85%
- Safety factor: 30%
- Operating temperature range: 20°F-130°F, -7°C-54°C

**Installation Data**

- Bracket assy: 130-775
- Mounting: horizontal or vertical
- Mounting holes: 4X Ø0.39", 1.125" by 7.75" rectangular pattern

Installation Requirements	(IN) Width	(IN) Height	(IN) Depth	(MM) Width	(MM) Height	(MM) Depth
Automatic	5.0	17.5	4.9	127	445	124
Manual/Automatic	5.0	18.8	4.9	127	478	124

**Approvals**

FM 3040508, USCG 162.029.248/0, TC, CE

**Compliance To:**

NFPA 2001, ABYC, Marine ISO-8846, UL2166, FM 5600, 46 CFR

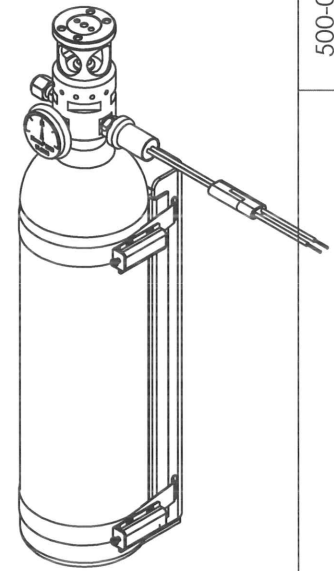
**Options**

- Pressure switch connector: Delphi (Weather-Pack) male connector, Deutsch (DTP) male connector, Delphi (Weather-Pack) assembly with wire leads
- Manual cable activation: Bi-directional
- System status indicator light: 12VDC std, 24VDC optional
- Pressure relief assembly: 975 psi, 67.2 bar

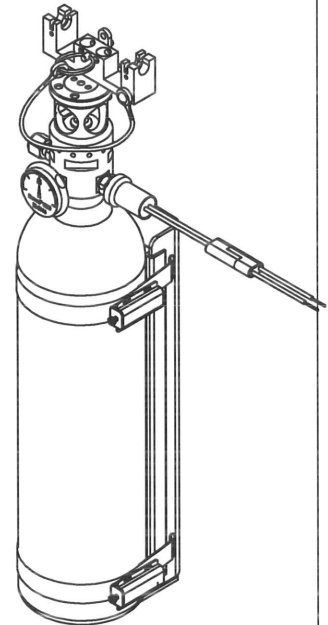
**Shipping Data**

- Shipping name: Compressed Gas, n.o.s. (nitrogen and flourinated keytone mixture), UN 1956
- Case pack qty: 1, 4, 6
- DOT special permit: SP-11598

MODEL	NFG 50	NFG 75
(Lb) Agent Weight	2.69	4.03
(Kg) Agent Weight	1.22	1.83
(Lb) Filled Weight No Bkt	5.85	7.19
(Kg) Filled Wgt No Bkt	2.66	3.27
(Lb) Inst Wgt W/ Bkt	7.85	9.19
(Kg) Inst Wgt W/ Bkt	3.57	4.18
(Lb) Shipping Weight	9.85	11.19
(Kg) Shipping Wgt	4.48	5.09



AUTOMATIC



MANUAL/AUTOMATIC

500-025



9331-A PHILADELPHIA ROAD  
BALTIMORE, MD 21237 U.S.A.  
www.sea-fire.com

PHONE (410) 687-5500  
FAX (410) 687-5503

**DOCUMENT DISTRIBUTION**  
THIS DOCUMENT IS INTENDED FOR GENERAL DISTRIBUTION AND MAY BE SHARED FULLY

4.5-6 REV B

COMPONENT: CYLINDER ASSEMBLY  
AUTOMATIC & MANUAL/AUTO  
NFG 26-75 (DOT/TC/CE)

SCALE: 1:5

ENGR APPR: *08*

DATE: *5/3/12*

DATE: 4/24/12

DRAWN BY: J. PIPPIN

REVISION: B

PART NO.: 500-025